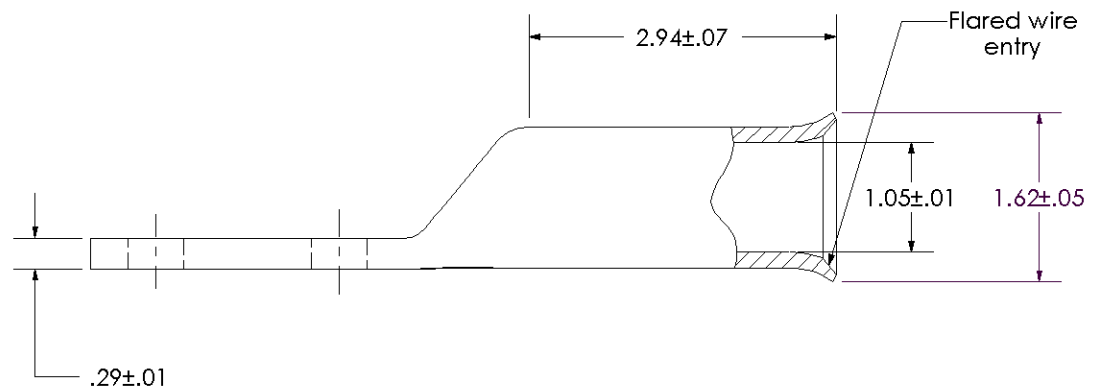
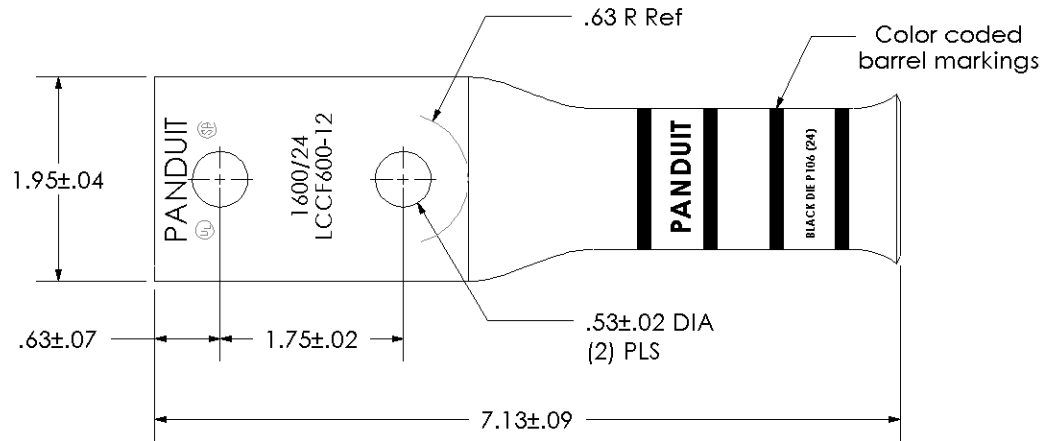


THIS COPY IS PROVIDED ON A RESTRICTED BASIS AND IS NOT TO BE USED IN ANY WAY DETRIMENTAL TO THE INTERESTS OF PANDUIT CORP.

Material	High Conductivity Seamless Copper Tube
Plating	Electro-Tin
Wire Size & Type	Stranded Copper Flex Cable; 646.6 kcmil (1600/24) Diesel Locomotive
Wire Strip Length	3.00 in.
Stud Size	1/2 in.
UL Listed Wire Connector	Yes, for applications up to 35kv. Consult cable manufacturer for voltage stress relief instructions with applications greater than 2000 volts.
UL Temperature Rating	90° C
C.S.A Certified Wire Connector	Yes
Panduit Color Code on Barrel	BLACK
Panduit Die Index No. on Barrel	P106
Alternate Industry Die Index No. ( ) on Barrel	(24)



**PANDUIT CORP. TINLEY PARK, ILLINOIS**

LCCF600-12-6  
Copper Lug - Two-Hole, Flared Long Barrel

00	7-03	PWS	PWS
REV	DATE	BY	CHK

RELEASED

11001

DESCRIPTION

ECN

SCALE  
N/A

DRAWING NO / CAD FILE

LCCF600-12-CUST